



# LED Pedestrian Signal Module

## 16" Indications

### DIL, DP, HM Series



## The Leotek LED Advantage

Both incandescent and pixelated looks, with "Fail-State Impedance" design to ensure controller and monitor compatibility in the event of loss of light output.



DIL Series



DP Series



HM Series

## Features and Benefits

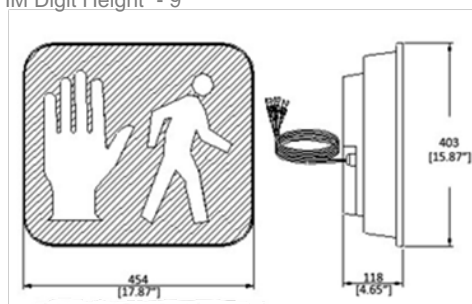
- Environmentally friendly
- Significant energy and maintenance savings
- Multiple connections available for specific applications
- Exceptional color uniformity and readability
- Excellent moisture and dust resistance through complete O-ring sealing
- Engineered aluminum heat sink for optimum thermal management
- Robust hard-coated and UV-stabilized polycarbonate lens for increased longevity against the elements
- Built-in Constant Current Source (CCS) provides uniform light output from the first to the last modules
- Maintains 70% of the initial lumen intensity after 50,000 hours of operation
- 5-Year Limited Warranty

## Technical Data

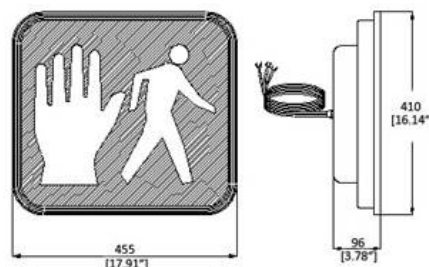
LED Color/Type: : Portland Orange ● /AlInGaP, Lunar White ○ /InGaN	
Operating Temperature: : -40°F to 165°F (-40°C to 74°C)	Total Harmonic Distortion (THD): : <20%
Operating Voltage: : 80 -135Vac	Turn-On/Turn-Off Time: : <75msec
Power Factor: : >0.90	Turn-Off Voltage: : 35Vac

## Mechanical Dimensions [mm(in)]

DIL, DP, HM Digit Height - 9"



DIL Series



DP Series

# Model Specifications and Ordering Options

Model Number	Description	Wattage Drawn	Standard
<b>16 inch Incandescent Look Dual Pedestrian</b>			
TSL-PED-16-DIL	Full Symbol	Lunar White Hand – 7W Portland Orange Man – 8W	ITE PTCSI-STD Part 2 - March 2004 / ETL <sup>1</sup>
<b>16 inch Dual Pedestrian</b>			
TSL-PED-DP-16-FS	Full Symbol	Lunar White Hand – 7W Portland Orange Man – 7W	ITE PTCSI-STD Part 2 - March 2004
TP16C-HM	Outline	Lunar White Hand – 6W Portland Orange Man – 6W	ITE PTCSI-STD Part 2 - March 2004
TP16G-HM	Overlay Outline	Lunar White Hand – 5W Portland Orange Man – 5W	ITE PTCSI-STD Part 2 - March 2004
TP16H-HM	Overlay Full Symbol	Lunar White Hand – 6W Portland Orange Man – 6W	ITE PTCSI-STD Part 2 - March 2004

<sup>1</sup>Intertek ETL Verified

## Standard Conformance



- FCC Compliant for Electrical Noise
- MIL-STD-810F Moisture Resistant
- MIL-STD-883 Mechanical Vibration
- NEMA TS2 Transient Voltage Protection over 2000V

**LEOTEK USA**  
1330 Memorex Drive  
Santa Clara, CA 95050  
Toll Free: (888) 806-1188  
Fax: (408) 980-0538

**LEOTEK TAIWAN**  
No. 50 Lung-Yuan 7<sup>th</sup> Road  
Lung-Tan, Tao-Yuan Hsien 325  
Taiwan  
Telephone: 866-3-4995939  
Fax: 866-3-4995930

[www.leotek.com](http://www.leotek.com)  
[www.liteon.com](http://www.liteon.com)

