

The Leader in Electro-Optics Technology



LED GREEN Technology

a subsidiary company of LITEON

LED Traffic Signal Module 9" Indications WM and EH Series

The Leotek Advantage

Our pedestrian modules use state of the art technology to provide quality products with unmatched reliability.



WM Series



EH Series

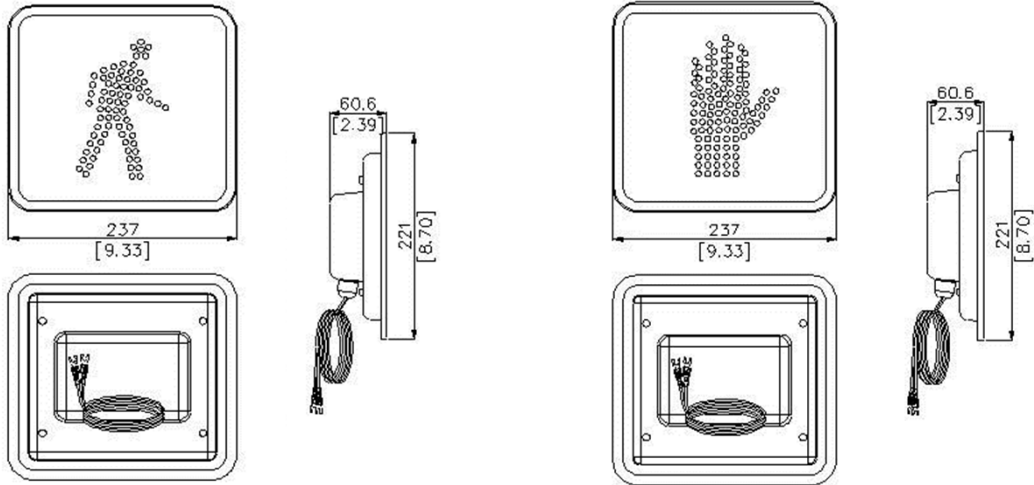
Features and Benefits

- Environmentally friendly
- Significant energy and maintenance savings
- Exceptional color uniformity and readability
- Maintains 70% of the initial lumen intensity after 100,000 hours of operation
- Excellent moisture and dust resistance through complete O-ring sealing
- Multiple connections available for specific applications
- Robust hard-coated and UV-stabilized polycarbonate lens for increased longevity against the elements
- Built-in Constant Current Source (CCS) provides uniform light output from the first to the last modules
- 5-Year Limited Warranty

Technical Data

LED Color/Type:	Portland Orange ● /AlInGaP, Lunar White ○ /InGaN		
Operating Temperature:	-40°F to 165°F (-40°C to 74°C)	Total Harmonic Distortion (THD):	<20%
Operating Voltage:	80 - 135Vac, 60 Hz	Turn-On/Turn-Off Time:	<75msec
Power Factor:	>0.90	Turn-Off Voltage:	>35Vac

Mechanical Dimensions [mm(in)]



WM Series

EH Series

Model Specifications and Ordering Options

Model Number	Description	Wattage Drawn
9 inch Pedestrian		
TP09B-WM	Full Symbol - Lunar White Man	6.5W
TP09B-EH	Full Symbol - Portland Orange Hand	6W

Standard Conformance

- FCC Compliant for Electrical Noise
- MIL-STD-810F Moisture Resistant
- MIL-STD-8a83 Mechanical Vibration
- NEMA TS2 Transient Voltage Protection over 2000V



V9-042911

Information provided subject to change without notice.

Leotek Electronics USA Corp. | 726 South Hillview Drive | Milpitas, CA 95035 | 408.380.1788 | www.leotek.com