

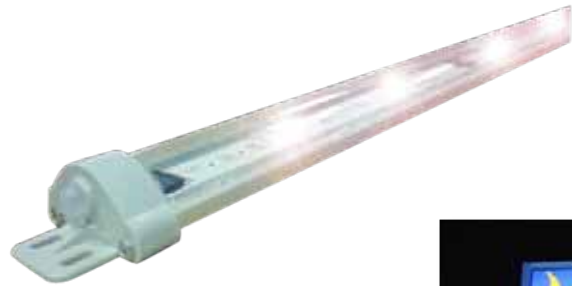


LED Signage Lighting Lite-Stik CL5 Series



The Leotek LED Advantage

Save on energy consumption and maintenance costs, with easy to install high-flux LEDs that provide bright, uniform light distribution to illuminate your company's most important asset, your Brand Image.



Applications

Fluorescent and Neon Alternative for:

- Storefront Marquis Signs
- Cabinet Signs
- Pylon Signs
- Monument Signs
- Canopy Fascia
- Gas Pump Toppers
- ATM Surrounds



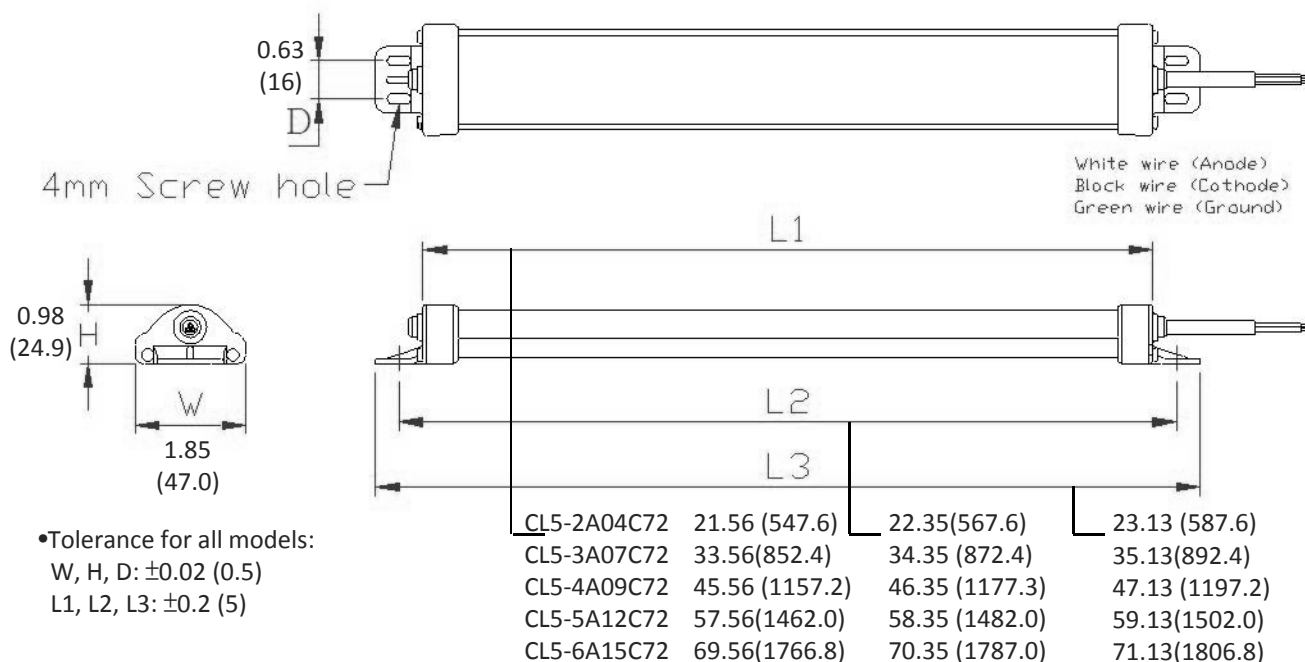
Features and Benefits

- Significant energy and maintenance savings.
- Life span up to 8 times greater than fluorescent tubes.
- Environmentally friendly.
- Reduces glare with sharper visual clarity.
- Three color options.
- No cold start issues.
- Reduced lamp and ballast maintenance.
- Enhanced life and performance.
- Shatterproof and shock resistant.
- Maintains a minimum of 70% of the initial lumen intensity after 50,000 hours of operation.
- 5-Year Limited Warranty

Technical Specifications

Lumen Output per Foot:	292 lm	Operating Temperature:	-40°F to 140°F (-40°C to 60°C)
Input:	Constant Current Source	Storage Temperature:	-40°F to 185°F (-40°C to 85°C)
CRI (Typical):	70	Weight per Foot:	0.35 lbs (0.16 kg)

Mechanical Dimensions [units: inch (mm)]



Ordering Options

Example CL5-5A12C72

