



a subsidiary company of LITEON®

LED Display Lighting Refrigerated Cooler Light CL3 Series

Installation Guide



This procedure is designed to aid in the installation of Leotek's Refrigerated Cooler Light. Skilled trades people that are familiar with general construction and electrical installation techniques should do installation. Licensed electricians should provide all installation and hook-up of both the primary and secondary input/outputs of the power supply. All installation and hook-up should be done in accordance with all national and local codes and permits. In no way is this document intended to construe warranty or fitness of use of the products described, nor is it intended to provide safety instruction for those installing the product.

WARNING

ATTENTION: METTRES HORS TENSION TOUS LES SECTIONNEURS INTEGRES AVANT D'ENTRENDRE LE DEPANNAGE. LES ENSEIGNES MODULAIRES MONTEES SUR PLACE PEUVENT ETRE VERIFIEES EN TOUT TEMPS PAR LE SERVICE D'INSPECTION LOCAL.

Before proceeding with installation or service maintenance of this product:

- Disconnect power to reduce electrical shock risk.
- Review the entire Installation Guide.
- Inspect this properly packaged product for any damage that may have occurred during transit.
- Verify product application complies with manufacturer design recommendations.
- Verify the availability of necessary tools and incidental material.
- Verify applicable code requirements. Field assembly and installation is subject to acceptance by local inspection authority.
- Appropriate safety equipment to be determined by end user, per applicable safety standards and precautions.

Product Description

The Leotek Cooler Light product is a long life alternative to fluorescent for interior refrigerated display lighting applications. CL3 products use Light Emitting Diodes (LEDs) as a light source. This allows for up to greater than 50,000 hours of maintenance free operation.

Note: Class I LED Product



a subsidiary company of LITEON®

LED Display Lighting Refrigerated Cooler Light CL3 Series Installation Steps

Retrofit Installation

1. Follow proper disposal procedures for the fluorescent fixtures.
2. Determine if space between rack and mullion allows for removal of fluorescent fixture and retrofit installation of cooler light.
 - A. If space allows for easy installation, proceed to retrofit step 3.
 - B. If space does not allow for easy installation, racks must be moved back enough to allow access to mullion.
 - i. In certain cases, removal of some or all merchandise from the shelves may be required.
 - ii. Unscrew bolt/bracket connecting rack to mullion or cooler wall.
 - iii. Slide or roll back rack to allow access to mullion.
3. Remove fluorescent fixture.
 - A. In certain cases, holes remaining from fluorescent fixture installation may require sealing.
4. Determine if wiring will run through top or bottom chase.
5. Refer to **New Installation** for mounting and wiring of cooler light, running wires in top or bottom chase.
6. Re-install racks.

New Installation

1. Use the double side tape on the back of the cooler light to temporarily put the unit on the mullion at desired position to facilitate further installation steps.
2. Use the taping screws to firmly attach the cooler light to the mullion (shown in Figure 1). The final assembly of fixer and cooler light is shown in Figure 2.
3. 6 ft cooler light, CL3-66W3, is using 72 watt rated power supply, and the model number is “ LP1090-24-GG-170.” The **yellow wire** of the cooler light should connect to the **red wire** on the DC side of the power supply and the **white wire** of the cooler light should connect to the **black wire** on the DC side of the power supply.(shown in Wiring Diagram 1)
4. 5 ft cooler light, CL3-56W3, is using 40 watt rated power supply, the model number is “ LP1040-22-CC1750 “, the **yellow wire** of the cooler light should connect to the **gray wire** on the DC side of the power supply and the **white wire** of the cooler light should connect to the **black wire** on the DC side of the power supply. (shown in Wiring Diagram 2)

Procedure

Step 1 – Attaching the Cooler Light

Use the double-sided tape on the back of the cooler light to temporarily put the unit on the mullion at desired position to facilitate further installation steps. Use the taping screws to firmly attach the cooler light to the mullion (shown in Figure 1).

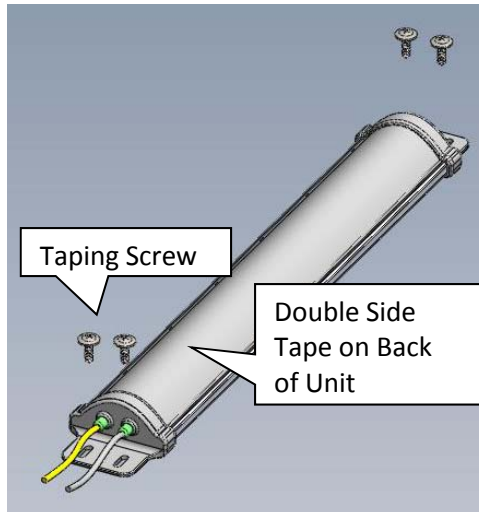


Figure 1

Step 2 – Final Assembly

Final assembly is shown in Figure 2.

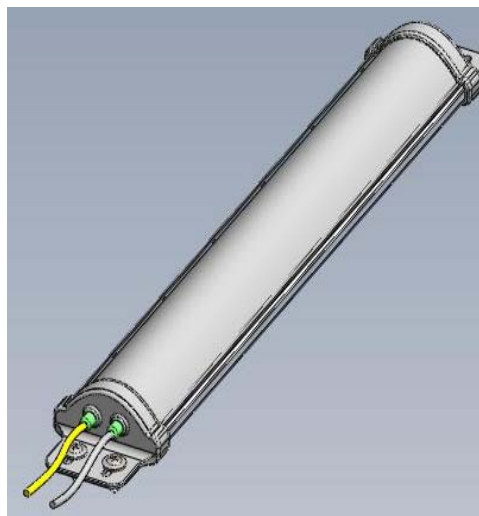


Figure 2

Wiring

Diagram 1

6 ft cooler light, CL3-66W3, is using 72 watt rated power supply, and the model number is "LP1090-24-GG-170." The **yellow wire** of the cooler light should connect to the **red wire** on the DC side of the power supply, and the **white wire** of the cooler light should connect to the **black wire** on the DC side of the power supply (shown in Figure 3).

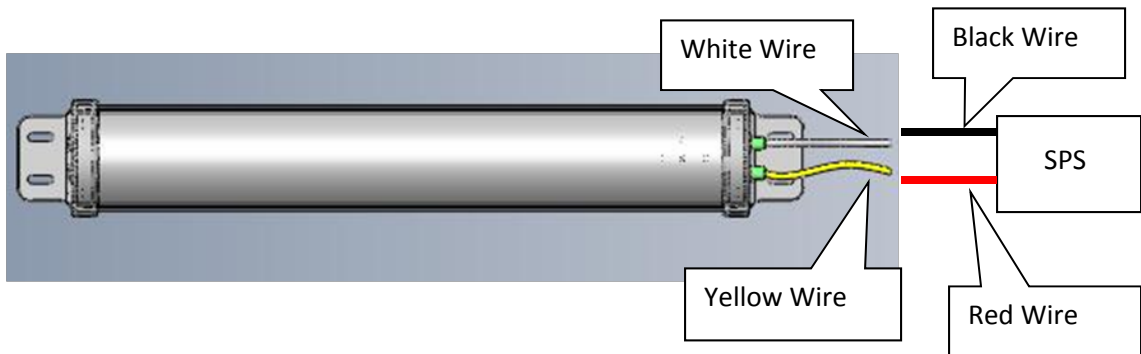
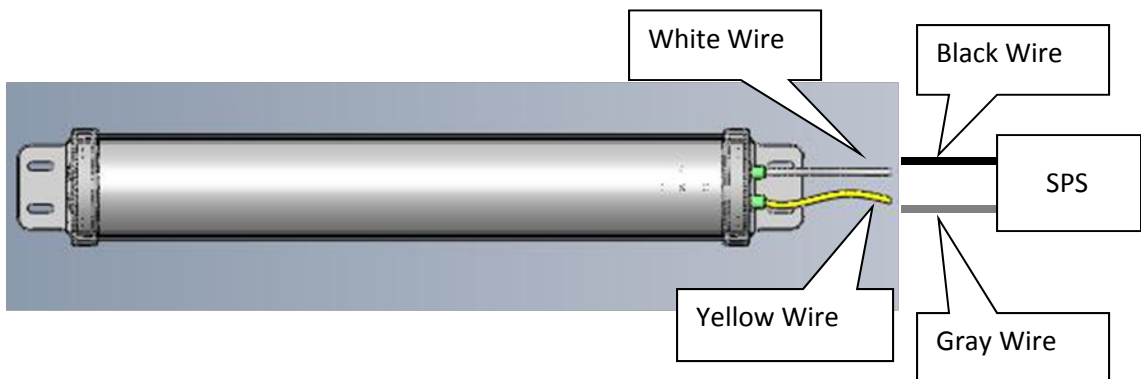


Diagram 2

5 ft cooler light, CL3-56W3, is using 40 watt rated power supply, the model number is "LP1040-22-CC1750 ." The **yellow wire** of the cooler light should connect to the **gray wire** on the DC side of the power supply, and the **white wire** of the cooler light should connect to the **black wire** on the DC side of the power supply (shown in Figure 4).



Standard Conformance



Class II,
232725
94V-HB



LEOTEK USA
1330 Memorex Drive
Santa Clara, CA 95050
Toll Free: (888) 806-1188
Fax: (408) 980-0538

LEOTEK TAIWAN
No. 50 Lung-Yuan 7th Road
Lung-Tan, Tao-Yuan Hsien 325
Taiwan
Telephone: 866-3-4995939
Fax: 866-3-4995930

www.leotek.com
www.liteon.com



V4.080509
Information provided subject to change without notice.