



LED Traffic Signal Module

Type 2 Screw-In Base Design

Easy Lamp™ Series



The Leotek LED Advantage

Compact Edison-base, screw-in design with "Fail-State Impedance" to ensure controller and monitor compatibility in the event of loss of light output.



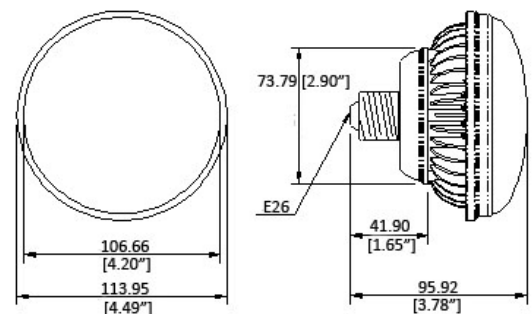
Features and Benefits

- Environmentally friendly
- Significant energy and maintenance savings
- 8" and 12" ball modules
- 12" arrow modules
- Tinted or clear lens
- Simple and fast installation – with or without reflector
- Exceptional color uniformity and readability
- Excellent moisture and dust resistance through complete O-ring sealing
- Robust hard-coated and UV-stabilized polycarbonate lens for increased longevity against the elements
- Built-in Constant Current Source (CCS) provides uniform light output from the first to the last modules
- Maintains 70% of the initial lumen intensity after 50,000 hours of operation
- 5-Year Limited Warranty

Technical Data

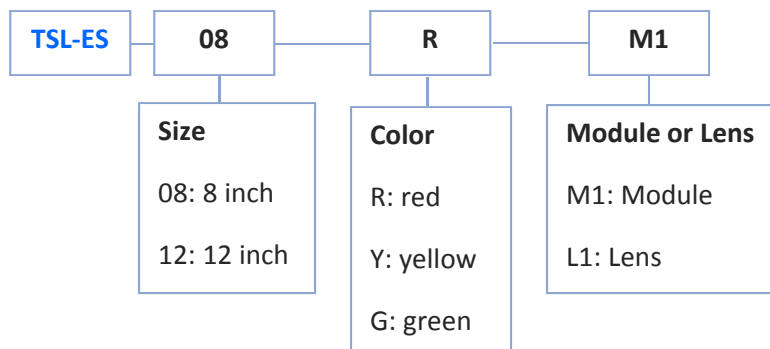
Operating Temperature:	-40°F to 165°F (-40°C to 74°C)
Operating Voltage:	80 - 135VAC, 60 Hz ¹
Power Factor:	>0.90
Turn-On/Turn-Off Time:	<75msec
Turn-Off Voltage:	>35Vac
Total Harmonic Distortion (THD):	<20%

Mechanical Dimensions [mm(in)]



Model Specifications and Ordering Options

Example: TSL-ES08R-M1



Model Number and Color	Wattage Drawn	Voltage ¹	Dominant Wavelength	Standard
8 inch				
TSL-ES08R-M1	7	80-135Vac	626	ITE 2005 ²
TSL-ES08R-L1				
TSL-ES08Y-M1	10	80-135Vac	589	ITE 2005 ²
TSL-ES08Y-L1				
TSL-ES08G-M1	9	80-135Vac	500	ITE 2005 ²
TSL-ES08G-L1				
12 inch				
TSL-ES12R-M1	6	80-135Vac	626	ITE 2005 ²
TSL-ES12R-L1				
TSL-ES12Y-M1	13	80-135Vac	589	ITE 2005 ²
TSL-ES12Y-L1				
TSL-ES12G-M1	12	80-135Vac	500	ITE 2005 ²
TSL-ES12G-L1				

Options: Tinted lens standard, clear lens optional.

¹Additional power options available.

²Meets ITE 2005 Temperature at +165°F (+74°C).

Standard Conformance



- FCC Compliant for Electrical Noise
- MIL-STD-810F Moisture Resistant
- MIL-STD-883 Mechanical Vibration
- NEMA TS2 Transient Voltage Protection over 2000V

LEOTEK USA
 1330 Memorex Drive
 Santa Clara, CA 95050
 Toll Free: (888) 806-1188
 Fax: (408) 980-0538

LEOTEK TAIWAN
 No. 50 Lung-Yuan 7th Road
 Lung-Tan, Tao-Yuan Hsien 325
 Taiwan
 Telephone: 886-3-4995939
 Fax: 886-3-4995930

www.leotek.com
www.liteon.com

