

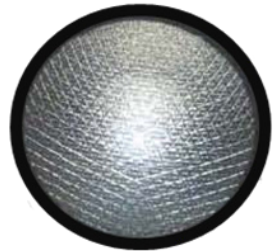


# LED Traffic Signal Module Incandescent Look IL-White Series



## The Leotek LED Advantage

A conventional incandescent look with "Fail-State Impedance" design to ensure controller and monitor compatibility in the event of loss of light output.



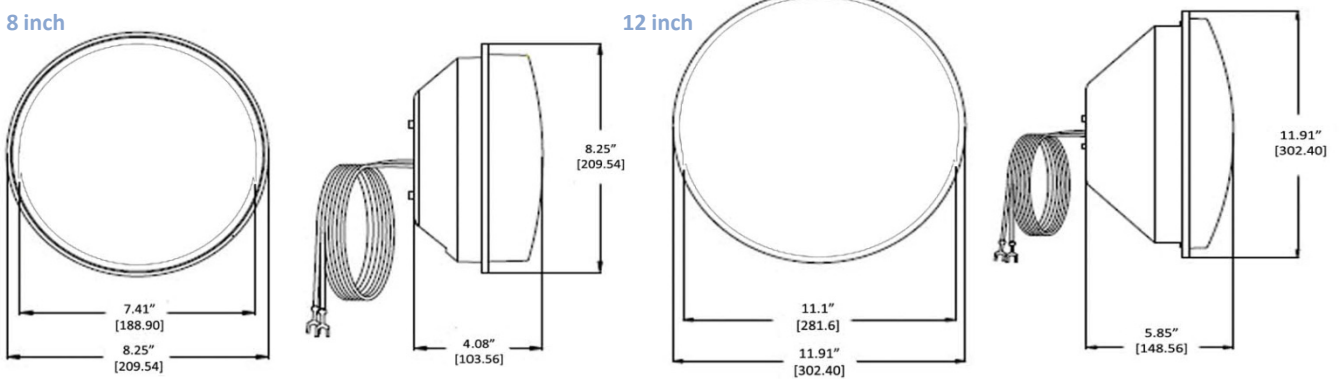
## Features and Benefits

- Environmentally friendly
- Significant energy and maintenance savings
- 8" and 12" modules
- Clear lens
- Multiple connections available for specific applications
- Exceptional color uniformity and readability
- Excellent moisture and dust resistance through complete O-ring sealing
- Robust hard-coated and UV-stabilized polycarbonate lens for increased longevity against the elements
- Built-in Constant Current Source (CCS) provides uniform light output from the first to the last modules
- Maintains 70% of the initial lumen intensity after 50,000 hours of operation
- 5-Year Limited Warranty



## Technical Data

Operating Temperature: -40°F to 165°F (-40°C to 74°C)	Turn-On/Turn-Off Time: <75msec
Operating Voltage: 80 - 135Vac	Turn-Off Voltage: >35Vac
Power Factor: >0.90	Total Harmonic Distortion (THD): <20%

## Mechanical Dimensions [in(mm)]



# Model Specifications and Ordering Options

Model Number and Color	IL Type	Wattage Drawn(w)	Voltage	Color Temp (°K)	Maintained Intensity (cd) Min.
<b>8 inch</b>					
TP08B-WS 	3	9	80-135Vac	6000~6700	215
<b>12 inch</b>					
TP12B-WS 	3	11	80-135Vac	6000~6700	475

## Standard Conformance



- FCC Compliant for Electrical Noise
- MIL-STD-810F Moisture Resistant
- MIL-STD-883 Mechanical Vibration
- NEMA TS2 Transient Voltage Protection over 2000V

**LEOTEK USA**  
1330 Memorex Drive  
Santa Clara, CA 95050  
Toll Free: (888) 806-1188  
Fax: (408) 980-0538

**LEOTEK TAIWAN**  
No. 50 Lung-Yuan 7<sup>th</sup> Road  
Lung-Tan, Tao-Yuan Hsien 325  
Taiwan  
Telephone: 886-3-4995939  
Fax: 886-3-4995930

[www.leotek.com](http://www.leotek.com)  
[www.liteon.com](http://www.liteon.com)

