



LED Signal Module Bicycle Indication

IL Series



The Leotek LED Advantage

Highly visible indication offers exceptional color uniformity and readability.



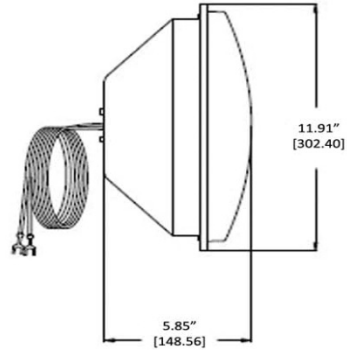
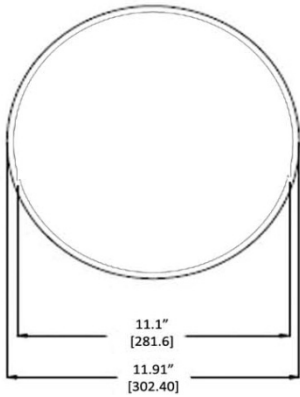
Features and Benefits

- Environmentally friendly
- Significant energy and maintenance savings
- 12" modules
- Simple and fast installation
- Excellent moisture and dust resistance through complete O-ring sealing
- Engineered aluminum heat sink for optimum thermal management
- Robust hard-coated and UV-stabilized polycarbonate lens for increased longevity against the elements
- Built-in Constant Current Source (CCS) provides uniform light output from the first to the last modules
- Maintains 70% of the initial lumen intensity after 50,000 hours of operation
- 5-Year Limited Warranty




Technical Data

Operating Temperature:	-40°F to 165°F (-40°C to 74°C)	Turn-On/Turn-Off Time:	<75msec
Operating Voltage ¹ :	80 - 135Vac, 60Hz	Turn-Off Voltage:	>35Vac
Power Factor:	>0.90	Total Harmonic Distortion (THD):	<20%

Mechanical Dimensions [in(mm)]



Model Specifications and Ordering Options

Model Number and Color	Wattage Drawn	Voltage ¹	Dominant Wavelength
12 inch			
TP12A-BA-IL 	6	80-135Vac	626
TP12A-BB-IL 	9	80-135Vac	589
TP12A-BC-IL 	9	80-135Vac	500

Available with clear lens only.

¹Other voltage options available.

Standard Conformance



- FCC Compliant for Electrical Noise
- MIL-STD-810F Moisture Resistant
- MIL-STD-883 Mechanical Vibration
- NEMA TS2 Transient Voltage Protection over 2000V

LEOTEK USA
 1330 Memorex Drive
 Santa Clara, CA 95050
 Toll Free: (888) 806-1188
 Fax: (408) 980-0538

LEOTEK TAIWAN
 No. 50 Lung-Yuan 7th Road
 Lung-Tan, Tao-Yuan Hsien 325
 Taiwan
 Telephone: 886-3-4995939
 Fax: 886-3-4995930

www.leotek.com
www.liteon.com

