



LED Signal Module Bus Indication IL Series

The Leotek Advantage

Highly visible indication offers exceptional color uniformity and readability.



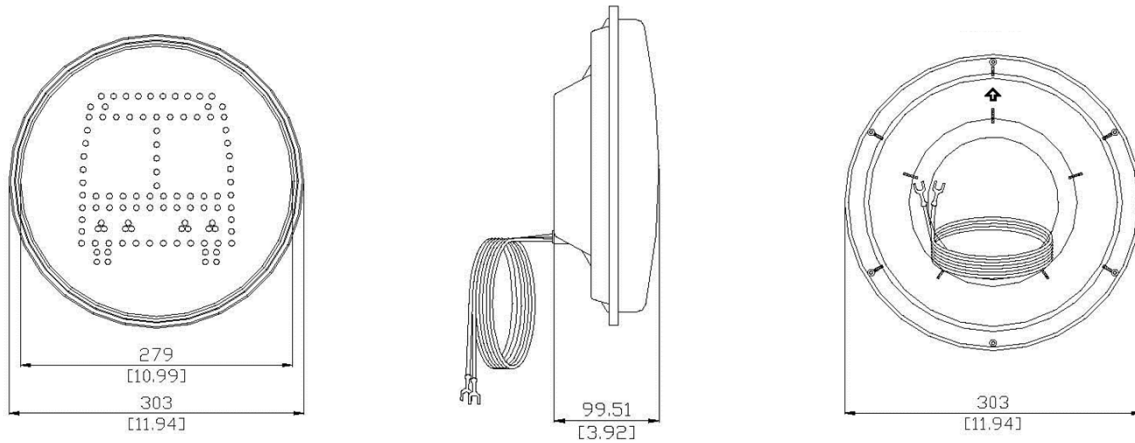
Features and Benefits

- Environmentally friendly
- Significant energy and maintenance savings
- 12" modules
- Simple and fast installation
- Excellent moisture and dust resistance through complete O-ring sealing
- Engineered aluminum heat sink for optimum thermal management
- Robust hard-coated and UV-stabilized polycarbonate lens for increased longevity against the elements
- Built-in Constant Current Source (CCS) provides uniform light output from the first to the last modules
- Maintains 70% of the initial lumen intensity after 100,000 hours of operation
- 5-Year Limited Warranty




Technical Data

Operating Temperature:	-4°F to 165°F (-20°C to 74°C)	Reaction On Time:	Max 50msec
Operating Voltage:	80 - 135Vac, 60Hz	Turn-Off Voltage:	>35Vac
Power Factor:	>0.90	Total Harmonic Distortion (THD):	<20%

Mechanical Dimensions [mm(in)]



Model Specifications and Ordering Options

Model Number and Color	Wattage Drawn	Voltage	Dominant Wavelength
12 inch			
TP12A-AS-RBUS 	7	80-135Vac	625
TP12A-BS-YBUS 	8	80-135Vac	592
TP12A-CS-GBUS 	8	80-135Vac	505

Standard Conformance

- FCC Compliant for Electrical Noise
- MIL-STD-810F Moisture Resistant
- MIL-STD-883 Mechanical Vibration
- NEMA TS2 Transient Voltage Protection over 2000V



V9-050211