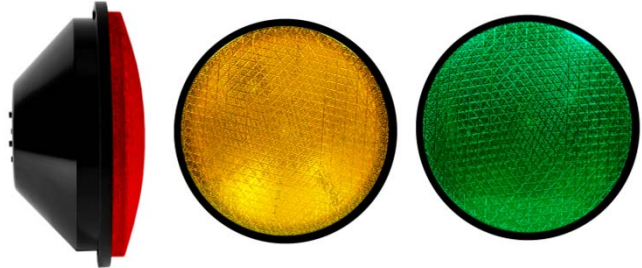




LED Traffic Signal Module Incandescent Look IL Series 200-265Vac

The Leotek Advantage

A conventional incandescent look with "Fail-State Impedance" design to ensure controller and monitor compatibility in the event of loss of light output.



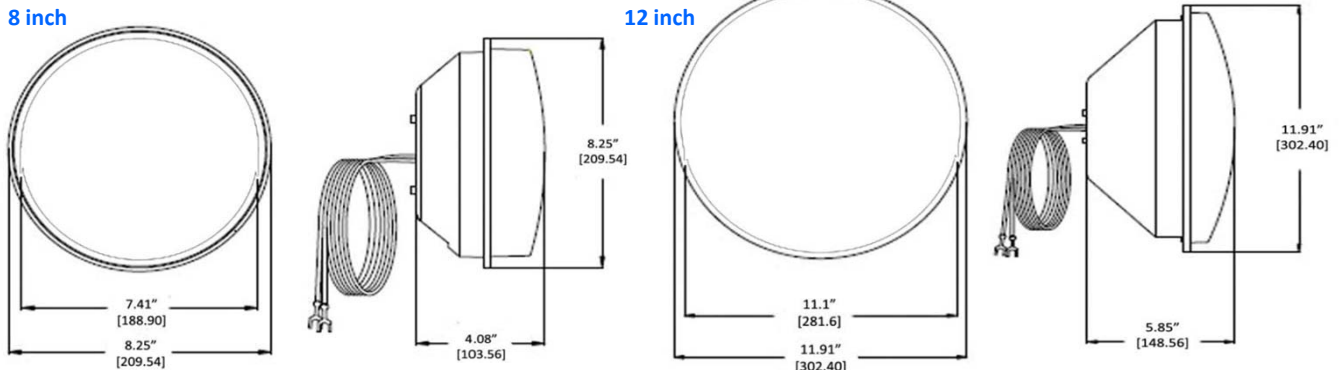
Features and Benefits

- High-Flux LEDs
- Environmentally friendly
- Significant energy and maintenance savings
- 12" modules
- Tinted or clear lens options
- Multiple connections available for specific applications
- Exceptional color uniformity and readability
- Excellent moisture and dust resistance through complete O-ring sealing
- Robust hard-coated and UV-stabilized polycarbonate lens for increased longevity against the elements
- Engineered aluminum heat sink for optimum thermal management
- Built-in Constant Current Source (CCS) provides uniform light output from the first to the last modules
- Maintains 70% of the initial lumen intensity after 100,000 hours of operation
- 5-Year Limited Warranty




Technical Data

Operating Temperature: : -40°F to 165°F (-40°C to 74°C)	Turn-On/Turn-Off Time: : <75msec
Operating Voltage: : 200-265Vac	Turn-Off Voltage: : 100Vac +/- 10Vac
Power Factor: : >0.90	Total Harmonic Distortion (THD): : <20%

Mechanical Dimensions [mm(in)]



Model Specifications and Ordering Options

Model Number and Color	Wattage Drawn	Voltage	Dominant Wavelength	Maintained Intensity (cd) Min.
12 inch				
TSL-12R-LX-IL5-C1 	12	200-265Vac	625	365
TSL-12Y-LX-IL5-C1 	13	200-265Vac	592	910
TSL-12G-LX-IL5-C1 	12	200-265Vac	505	475

Options: Tinted lens standard, clear lens optional. If required, please indicate “clear lens” on purchase order.

Standard Conformance

- FCC Compliant for Electrical Noise
- MIL-STD-810F Moisture Resistant
- MIL-STD-883 Mechanical Vibration
- NEMA TS2 Transient Voltage Protection over 2000V



V11-051011

Information provided subject to change without notice.

Leotek Electronics USA Corp. | 726 South Hillview Drive | Milpitas, CA 95035 | 408.380.1788 | www.leotek.com