



LED Traffic Signal Module Incandescent Look IL White Series

The Leotek Advantage

A conventional incandescent look with "Fail-State Impedance" design to ensure controller and monitor compatibility in the event of loss of light output.



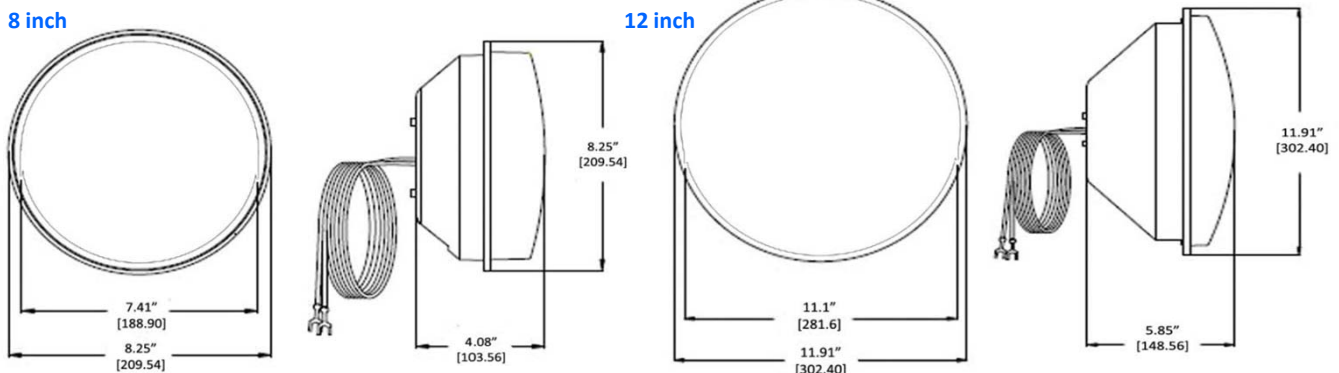
Features and Benefits

- Environmentally friendly
- Significant energy and maintenance savings
- 8" and 12" modules
- Clear lens
- Multiple connections available for specific applications
- Exceptional color uniformity and readability
- Excellent moisture and dust resistance through complete O-ring sealing
- Robust hard-coated and UV-stabilized polycarbonate lens for increased longevity against the elements
- Built-in Constant Current Source (CCS) provides uniform light output from the first to the last modules
- Maintains 70% of the initial lumen intensity after 100,000 hours of operation
- 5-Year Limited Warranty



Technical Data

Operating Temperature:	-40°F to 165°F (-40°C to 74°C)	Turn-On/Turn-Off Time:	<75msec
Operating Voltage:	80 - 135Vac	Turn-Off Voltage:	>35Vac
Power Factor:	>0.90	Total Harmonic Distortion (THD):	<20%

Mechanical Dimensions [in(mm)]



Model Specifications and Ordering Options

Model Number and Color	IL Type	Wattage Drawn(w)	Voltage	Color Temp (°K)	Maintained Intensity (cd) Min.
8 inch					
TP08B-WS 	3	9	80-135Vac	6000~6700	215
12 inch					
TP12B-WS 	3	11	80-135Vac	6000~6700	475

Standard Conformance

- FCC Compliant for Electrical Noise
- MIL-STD-810F Moisture Resistant
- MIL-STD-883 Mechanical Vibration
- NEMA TS2 Transient Voltage Protection over 2000V



V8-050211

Information provided subject to change without notice.

Leotek Electronics USA Corp. | 726 South Hillview Drive | Milpitas, CA 95035 | 408.380.1788 | www.leotek.com