



LCN1 Series – LED Outdoor Single Skin Canopy

Applications include petroleum stores, parking garages

GREEN Technology

The Leotek LCN1 Canopy Luminaire offers a cutoff, recessed, exterior lighting solution engineered around energy-efficient LED sources. The form minimizes visual clutter under the canopy, while providing the required thermal management to ensure optimal LED performance.

High Visibility Illumination

- Extraordinarily uniform illumination
- High CRI, white light enhances visual acuity

Life Cycle Economies

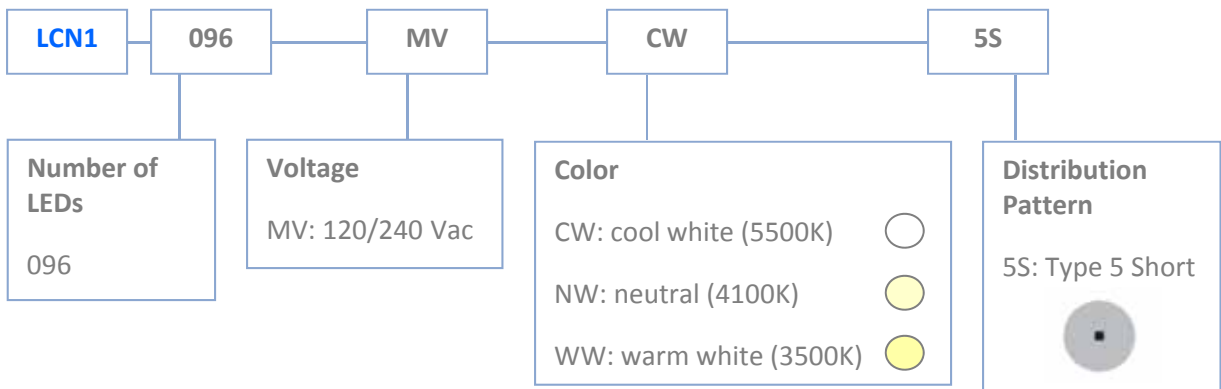
- High LED efficiency reduces energy cost
- 50,000-hour life reduces maintenance
- Instant-start LEDs are compatible with inverters and battery back-up emergency lighting systems available.

Sustainable Design

- Energy savings reduce greenhouse gases
- 100% mercury and lead free
- In addition to the cutoff optics, the LCN1 luminaire reduces spill light into adjacent properties, thereby significantly reducing the contribution to urban sky glow.



Ordering Options and Technical Data



Leotek Series	Power Consumption	Lumen Output/Lumen Per Watt Efficacy	CRI
LCN1-096	94W	6745/71.7	70%

LCN1 Luminaire Specifications

Luminaire Housing: Molded white ABS outer housing. Designed for surface-mounted installation in single-skin canopy.

Light-Engine Housing: Die cast aluminum housing with heat dissipating fins.

Optical Chamber: Sealed, silicone gaskets

Light Emitting Diodes: Hi-flux/Hi-power white LEDs produce a minimum of 100 lumens per watt and 70% of initial intensity at 50,000 hours of life. They have a correlated color temperature of 5500K and a CRI of 70. LEDs are 100% mercury and lead free.

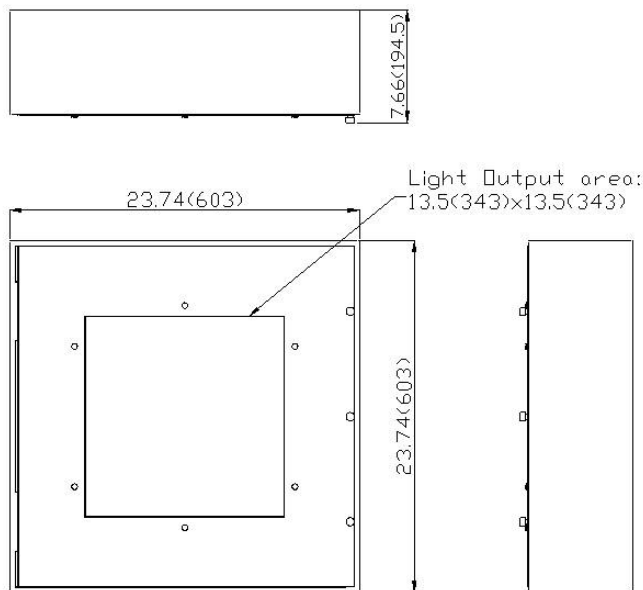
Electrical: Power supply features a Power Factor of .9 and <20% Total Harmonic Distortion (THD). EMC meets or exceeds FCC CFR Part 15 Class A. Power supply produces a maximum drive current of 325mA to optimize LED efficiency and life.

Finish: White.

Listings/Ratings/Warranties: Luminaires are listed by NRTL for use in wet locations in the United States and Canada. Five-year limited warranty is standard on all components.

Photometry: IES Type V, Cutoff distribution with None Trapped Light. All luminaires are photometrically tested by certified independent testing laboratories in accordance with IESNA LM-79 testing procedures.

Mechanical Dimensions [units: inch (mm)]



LEOTEK USA
1330 Memorex Drive
Santa Clara, CA 95050
Toll Free: (888) 806-1188
Fax: (408) 980-0538

LEOTEK TAIWAN
No. 50 Lung-Yuan 7th Road
Lung-Tan, Tao-Yuan Hsien 325
Taiwan
Telephone: 866-3-4995939
Fax: 866-3-4995930

www.leotek.com
www.liteon.com

