



LWS1 Series – LED Outdoor Wall Sconce

Applications include schools, hospitals, commercial buildings

GREEN Technology

The Leotek LWS1 Performance Sconce offers a full cutoff, wall-mounted, exterior lighting solution engineered around energy-efficient LED sources. The form combines bold fins with rounded edges to compliment a wide variety of architecture, while providing the required thermal management to ensure optimal LED performance.

High Visibility Illumination

- Extraordinarily uniform illumination
- High CRI, white light enhances visual acuity

Life Cycle Economies

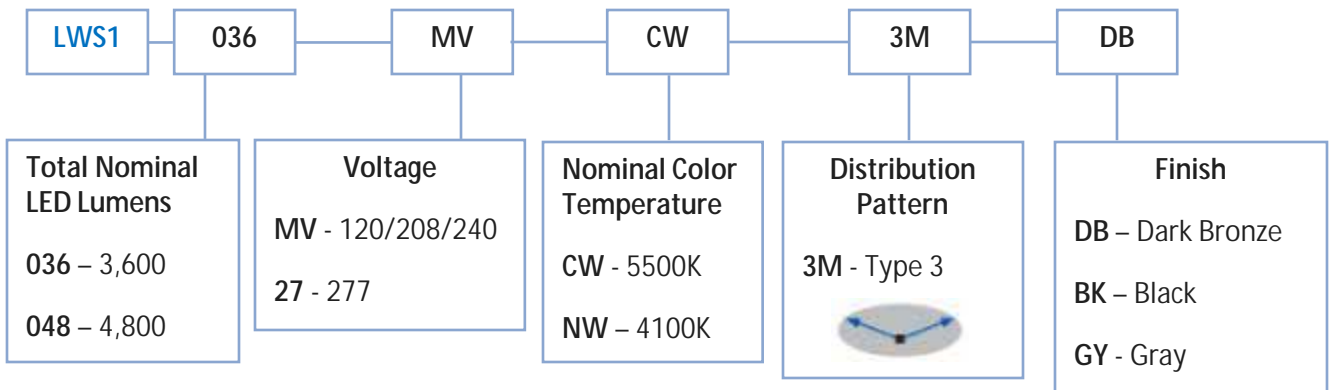
- High LED efficiency reduces energy cost
- 50,000-hour life reduces maintenance
- Instant-start LEDs are compatible with inverters and battery back-up emergency lighting systems.

Sustainable Design

- Energy savings reduce greenhouse gases
- 100% mercury and lead free
- In addition to the "full-cutoff" optics, the LWS1 luminaire reduces reflected uplight by up to 50% thereby significantly reducing the contribution to urban sky glow.



Ordering Information



Luminaire	System Watts	Lumen Output	Luminaire Efficacy (lumens per watt)	CRI
LWS1-036	36W	2507	69	70%
LWS1-048	52W	3282	63	70%

LWS1 Luminaire Specifications

Housing: Die cast aluminum housing with heat dissipating fins. Optical chamber is sealed and gasketed to UV stabilized polycarbonate lens.

Light Emitting Diodes: Hi-flux/Hi-power white LEDs produce a minimum of 100 lumens per watt and 70% of initial intensity at 50,000 hours of life. They have a correlated color temperature of 5500 and a CRI of 70. LEDs are 100% mercury and lead free.

Optical Systems: Micro-lens system produces IESNA Type 3 distribution. Luminaire is classified as Full-Cutoff with 0 lumens produced at or above 90°. Units provide a minimum luminaire efficacy of 63 lumens per watt.

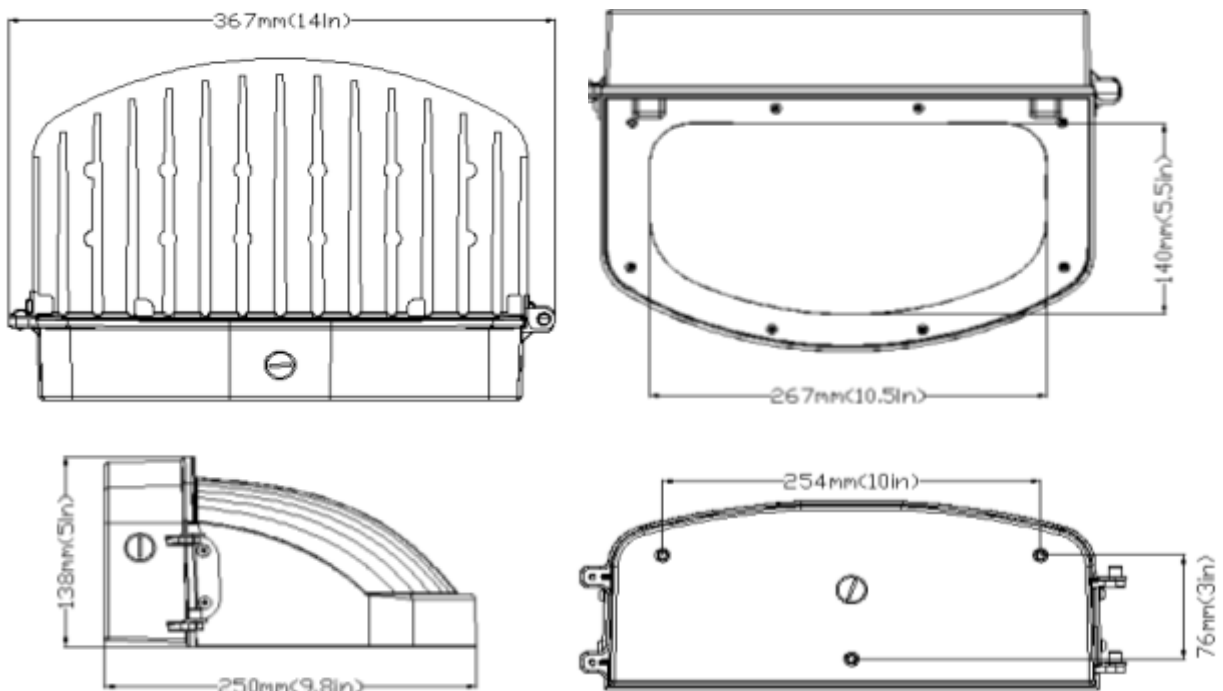
Electrical: Power supply features a Power Factor of .99 and <20% Total Harmonic Distortion (THD). EMC meets or exceeds FCC CFR Part 15. Transient voltage complies with ANSI C62.41 Cat. A. Power supply produces a maximum drive current of 325ma to optimize LED efficiency and life.

Finish: Housing receives a fade and abrasion resistant, epoxy polyester powder coat finish.

Listings/Ratings/Warranties: Luminaires are listed by certified testing laboratory for use in wet locations in the United States and Canada. Maintains IP66 rating. Five-year limited warranty is standard on all components.

Photometry: All luminaires are photometrically tested by certified independent testing laboratories in accordance with IESNA LM-79 testing procedures.

Mechanical Dimensions [units: mm (inch)]



LEOTEK USA
726 South Hillview Drive
Milpitas, CA 95035
Toll Free: (888) 806-1188
Fax: (408) 980-0538

LEOTEK TAIWAN
No. 50 Lung-Yuan 7th Road
Lung-Tan, Tao-Yuan Hsien 325
Taiwan
Telephone: 886-3-4995939
Fax: 886-3-4995930

www.leotek.com
www.liteon.com



V13-072810
Information provided subject to change without notice.