



LED Display Lighting



MR-16

The Leotek LED Advantage

Save on energy consumption and maintenance costs, with High-Flux LEDs that provide bright, uniform light distribution.



Applications

- Entertainment Lighting
- Architectural Lighting
- Landscape Lighting
- Art Gallery Lighting
- Show Cabinet Lighting

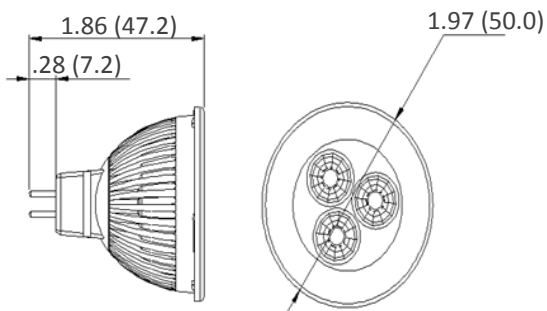
Features and Benefits

- Comparable to Halogen MR-16
- Significant energy and maintenance savings
- Environmentally friendly
- Super brightness
- Low heat: Excellent heat sink performance
- No UV or IR light radiation
- Life expectancy of over 40,000 hours
- 2-Year Limited Warranty

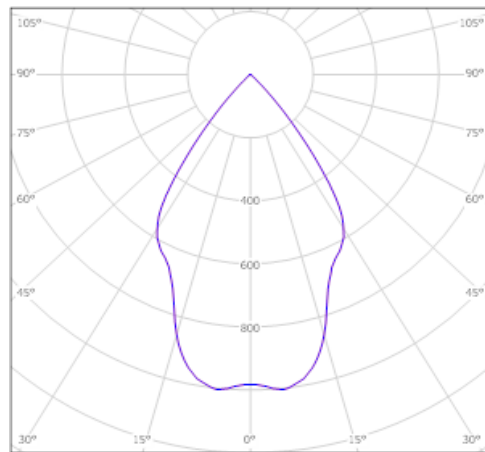
Technical Data

Housing:	Aluminum with plating	Power Consumption:	5W maximum
Outer Dimension:	L: 1.86in (47.2mm) Diam: 1.97in (50mm)	Beam Angle:	60°
Net Weight:	0.12lb (55g)	CCT:	5100K, 3500K
Gross Weight:	0.15lb (70g)	Center Illuminance:	@ 1m): 180 lux (5100K) / 155 lux (Typical): (3500K)
Connector Type:	GU5.3 compatible	Operating Temperature:	-4°F to 104°F (-20°C to 40°C)
Input Voltage:	11.5V~24.5V AC/DC	Storage Temperature:	-40°F to 104°F (-40°C to 40°C)

Mechanical Dimensions [units: inch (mm)]

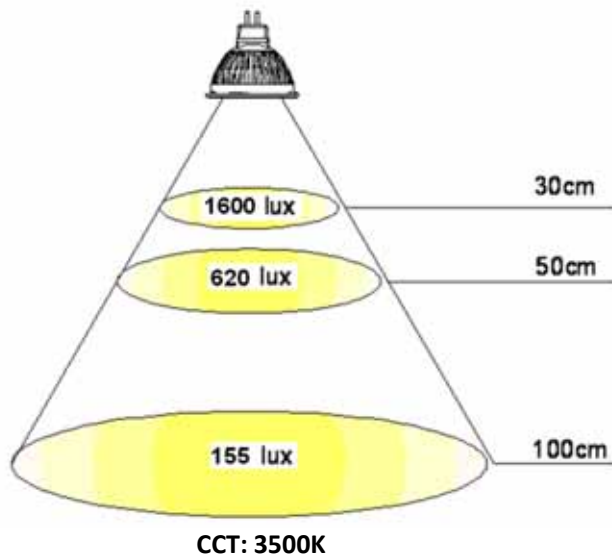
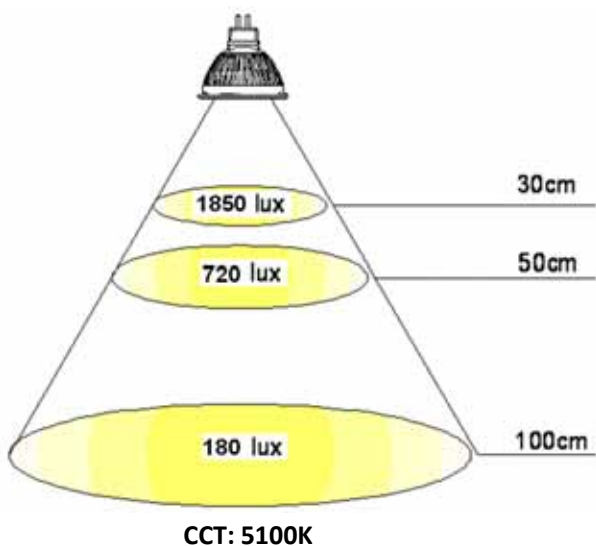


Candlepower Distribution



Beam Angle: X-Y / Direction : 60°

Center Illuminance (Typical)



Ordering

Model Number:	LMR-161S1C3A-F	LMR-161S1W3A-F
CCT:	5100K (Cool White)	3500K (Warm White)

LEOTEK USA
1330 Memorex Drive
Santa Clara, CA 95050
Toll Free: (888) 806-1188
Fax: (408) 980-0538

LEOTEK TAIWAN
No. 50 Lung-Yuan 7th Road
Lung-Tan, Tao-Yuan Hsien 325
Taiwan
Telephone: 866-3-4995939
Fax: 866-3-4995930

www.leotek.com
www.liteon.com

