



GREEN Technology

LED Railroad Signal Module Grade Crossing IL Series

The Leotek LED Advantage

A conventional incandescent look with energy efficient, long life LED technology that provides significant energy and maintenance savings, with exceptional color uniformity and readability.



Features and Benefits

- Meets AREMA standards for Safety Assurance
- Reliable High Flux / High Power LEDs
- Side Lights for extra safety and visibility
- Excellent moisture and dust resistance
- Robust hard-coated and UV-stabilized polycarbonate lens for increased longevity against the elements
- Maintains 70% of the initial lumen intensity after 50,000 hours of operation
- 5-Year Limited Warranty

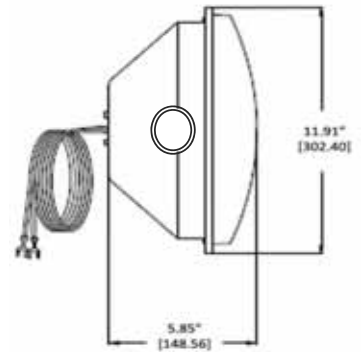
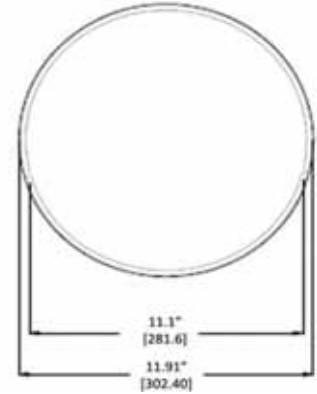
Technical Data

Operating Temperature:	-40°F to 165°F (-40°C to 74°C)
Operating Voltage:	8-20Vdc, 8-16Vac (50-60 Hz)
Power Factor:	>0.90
Turn-On/Turn-Off Time:	<75msec
Turn-Off Voltage:	3.5 V ac, dc
Power Surge:	45Vrms for 80ms


Specifications

Moisture:	MIL-STD-810F
Photometry:	AREMA Part 3.2.35
Transient Immunity:	AREMA Part 11.3.3
Environmental Parameters:	AREMA Part 11.5.1 – Class B
Electronic Noise:	FCC Title 47 Sub. B Sec 15 Class A

Mechanical Dimensions [in(mm)]



Ordering Information

Model	Color	LED Type	Dominant Wavelength	Wattage Drawn	Input Current
TSL-12RCS-LX-IL3-B1 with standard Side Lights		AllnGaP	626	9	750 mA

LEOTEK USA
1330 Memorex Drive
Santa Clara, CA 95050
Toll Free: (888) 806-1188
Fax: (408) 980-0538

LEOTEK TAIWAN
No. 50 Lung-Yuan 7th Road
Lung-Tan, Tao-Yuan Hsien 325
Taiwan
Telephone: 866-3-4995939
Fax: 866-3-4995930

www.leotek.com
www.liteon.com

