

The Leader in Electro-Optics Technology



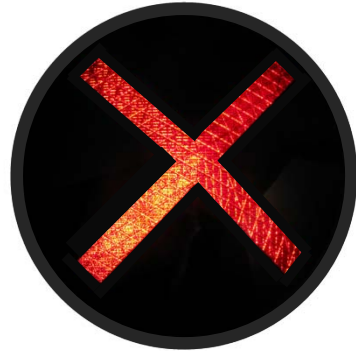
LED GREEN Technology

a subsidiary company of LITEON

LED Railroad Signal Module X-Indication IL Series-SF

The Leotek Advantage

A conventional incandescent look with energy efficient, long life LED technology that provides significant energy and maintenance savings, with exceptional color uniformity and readability.



Features and Benefits

- Meets AREMA standards for Safety Assurance
- Reliable High Flux / High Power LEDs
- Excellent moisture and dust resistance
- Robust hard-coated and UV-stabilized polycarbonate lens for increased longevity against the elements
- Maintains 70% of the initial lumen intensity after 100,000 hours of operation
- 5-Year Limited Warranty

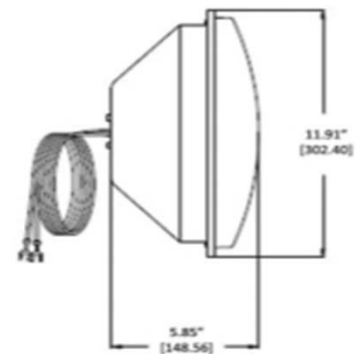
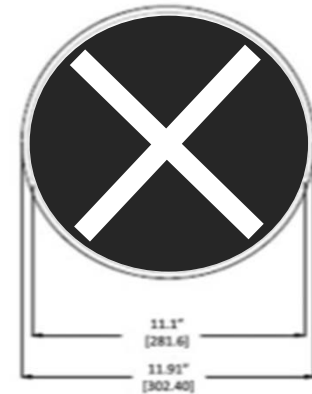
Technical Data

Operating Temperature:	-40°F to 165°F (-40°C to 74°C)
Operating Voltage:	80-135Vac, (50-60 Hz)
Power Factor:	>0.90
Turn-On/Turn-Off Time:	<75msec
Turn-Off Voltage:	>35 V ac,



Specifications

Moisture:	MIL-STD-810F
Photometry:	AREMA Part 3.2.35
Environmental Parameters:	AREMA Part 11.5.1 – Class B
Electronic Noise:	FCC Title 47 Sub. B Sec 15 Class A
Appearance:	Uniform, non-pixelated incandescent look
Lens:	Tinted the color of LED display
Transient Protection Specification:	NEMA TS-2
“X” Cross-Arm Dimensions:	1 inch wide x 10 inches long

Mechanical Dimensions [in(mm)]



Ordering Information

Model	Color	LED Type	Dominant Wavelength	Wattage Drawn	Input Current
TSL-12R-LX-IL3-XB-A1		AllnGaP	626	11	80mA
TSL-12G-LX-IL3-XB-A1		InGaN	500	12	110mA



V8-050211