



LED Outdoor Soffit Luminaire LSF1 Series

Applications Include: Soffits and Non-IC, Recessed Ceilings/Canopies

The Leotek LSF1 Soffit Luminaire offers a full cutoff, non-insulated ceiling, recessed lighting solution engineered around energy-efficient LED sources. The form minimizes visual clutter under the eaves, while providing extraordinary horizontal, as well as vertical footcandles below fixture.

The Leotek Advantage

High Visibility Illumination

- Extraordinarily uniform illumination
- High CRI, white light enhances visual acuity
- Instant-start LEDs, compatible with inverters & battery back-up emergency lighting systems

Life Cycle Economies

- High LED efficiency reduces energy cost
- 60,000 +/- hour projected life reduces maintenance

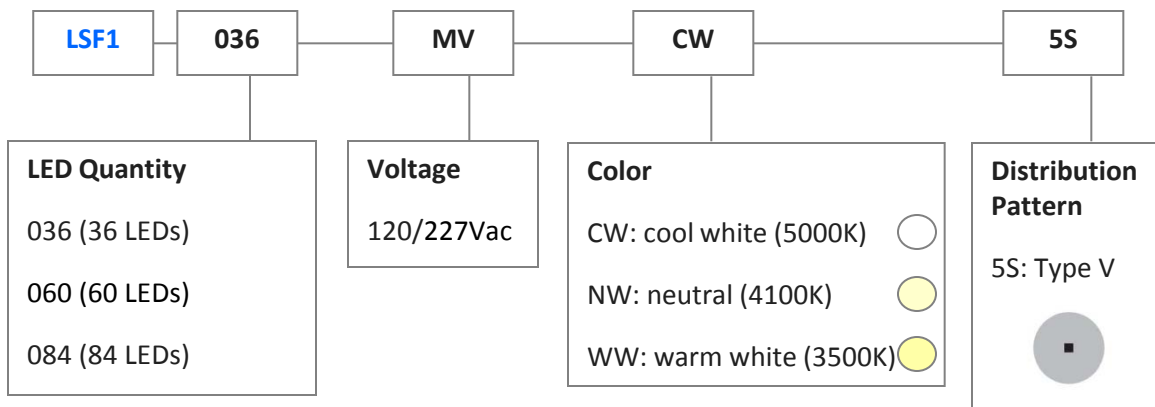
Sustainable Design

- Energy savings reduce greenhouse gases
- 100% mercury and lead free
- In addition to the "full-cutoff" optics, the LSF1 luminaire significantly reduces the contribution to urban sky glow and reduces spill light into adjacent properties



Ordering Options and Technical Data

Example: LSF1-036-MV-CW-5S



Leotek Series	Power Consumption	Lumen Output/Lumen Per Watt Efficacy*
LSF1-036	33	2,640/80
LSF1-060	62	5,120/80
LSF1-084	86	6,880/80

*Based on 5000K

LSF1 Luminaire Specifications

Application: Protected, non-insulated ceiling, plenum or soffit areas. Face frame installs flush to ceiling material. Ideal for metal ceilings.

Light-Engine Housing: Die cast aluminum housing with heat dissipating fins.

Optical Chamber: Sealed by die formed silicone gasket held captive by stainless steel frame between clear prismatic UV stabilized polycarbonate lens and cast aluminum heat sink to prevent ingress of dust or moisture.

Light Emitting Diodes: Hi-flux/Hi-power white LEDs produce 130 lumens (typical) per watt and 70% of initial intensity (L70 projection) at 60,000+/- hours of projected life. They have a CCT (correlated color temperature) of 5000K and a typical CRI of 70. LEDs are 100% mercury and lead free.

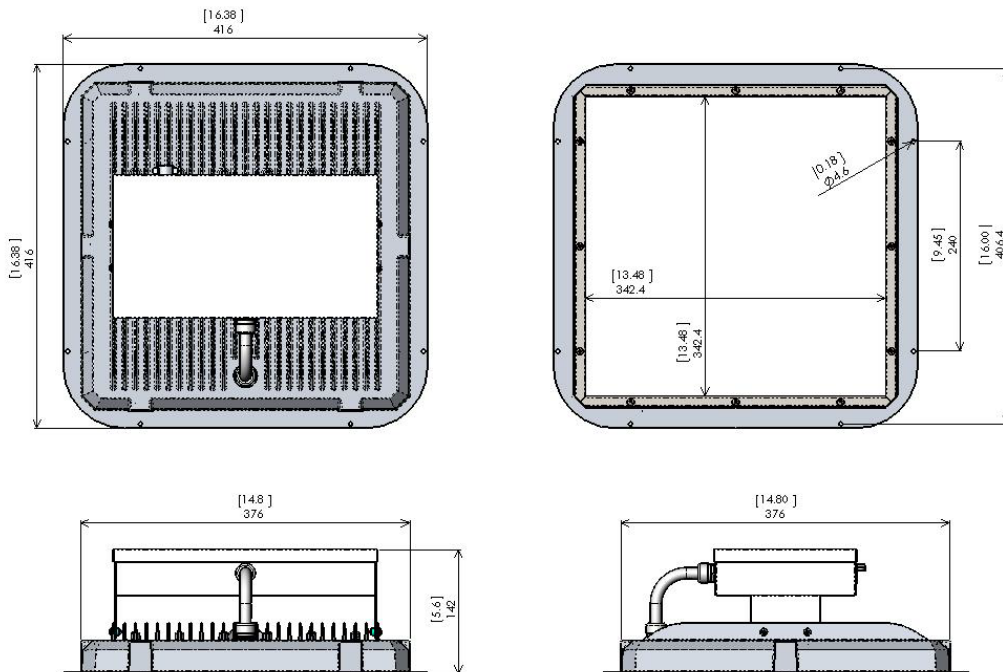
Electrical: Power supply features a Power Factor of .90 and <20% Total Harmonic Distortion (THD). EMC meets or exceeds FCC CFR Part 15. Transient voltage complies with ANSI C62.41 Cat. A. Power supply produces a maximum drive current of 325mA to optimize LED efficiency and life. Operating temperature rating: -40°F to 122°F (-40°C to 50°C).

Finish: White polyester powder-coated frame.

Listings/Ratings/Warranties: Luminaires are certified by CSA for use in damp or dry locations in the United States and Canada. Five-year limited warranty is standard on all components.

Photometry: IES Type V short, Full Cutoff distribution. All luminaires are photometrically tested by certified independent testing laboratories in accordance with IESNA LM-79 testing procedures. LM80 tests and In-Situ tests available on request.

Mechanical Dimensions [units: mm (inch)]



We've Got You Covered

V18-091511

Information provided subject to change without notice.

Leotek Electronics USA Corp. | 726 South Hillview Drive | Milpitas, CA 95035 | 408.380.1788 | www.leotek.com